

- **Four model options**
- **Automatic detection of any Cognex system on your network**
- **Works with In-Sight vision systems and DataMan industrial ID products from Cognex**

The VisionView® operator interface is ideal for monitoring and controlling Cognex vision systems and image-based ID readers on the factory floor and allows operator controls specific to the application.

VisionView Application Software

The VisionView application software is available on four platforms which all feature:

- **Automatic detection.**
Quickly detect any Cognex vision system on your network.
- **Mix and match Cognex In-Sight® and DataMan® systems.**
View up to nine (twelve with VisionView PC or CE-SL) systems in a tiled view.
- **Graphical interface.**
Display full color images, with graphic overlays and operator controls.
- **Fast image updates.**
See the most recent inspection images so you can view your process in real time.
- **Access to CustomViews and EasyView.**
The operator controls created in the spreadsheet or items selected from In-Sight EasyBuilder® software will appear on the VisionView screen.
- **Run-time ability to train fonts, without a PC.**
No downtime during changeovers—ideal for OCR/OCV applications.



Multiple Platforms

1. VisionView PC Software

Choose your own PC and run the VisionView interface directly on your existing machine... no additional hardware is required!

2. VisionView 900 Panel

VisionView 900 is a powerful, low-cost operator interface panel that provides password-protected user control to adjust vision tool parameters and regions of interest without requiring a PC on your factory floor.

- Nine-inch/229mm touch screen gives total control during run-time operation
- Use the LAN port with an external switch to connect up to nine systems

3. VisionView VGA

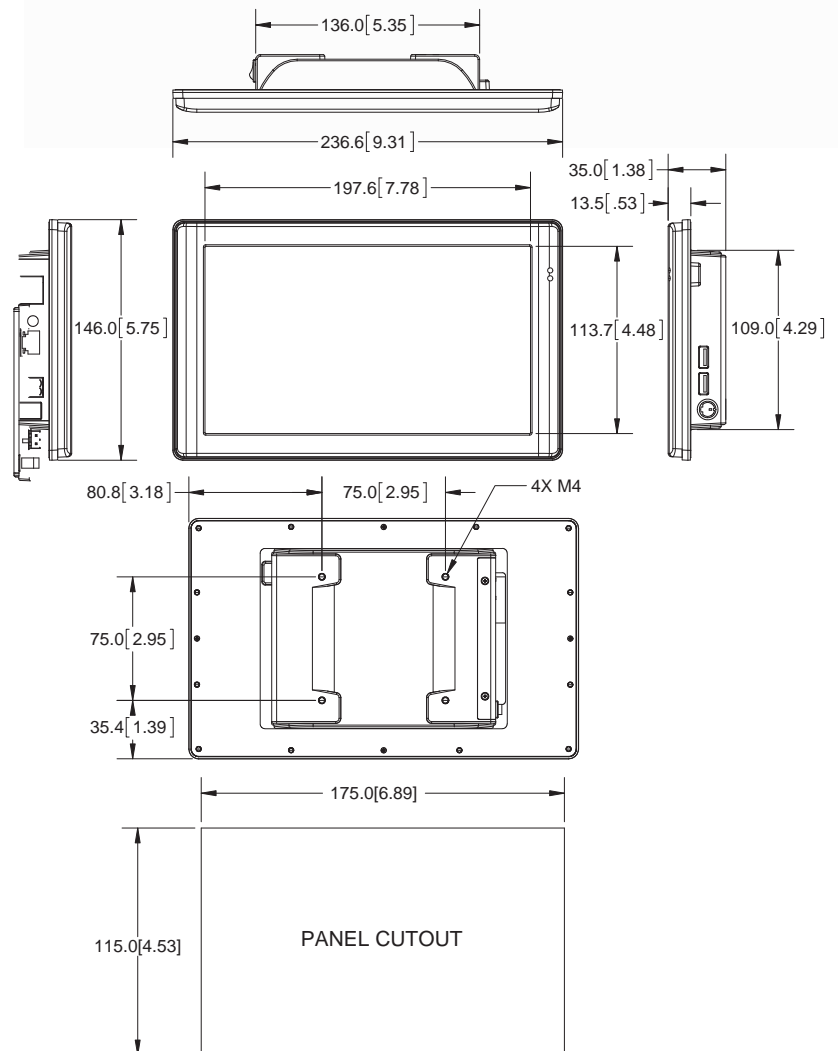
This provides the flexibility to connect smaller- or larger-size monitors for "control room" viewing of images, results, CustomViews and EasyViews. The VisionView VGA supports VGA displays of different resolutions, as well as touch screen displays.

4. VisionView CE-SL for Third-party CE Panels

License a version of the VisionView software that can run on Rockwell PanelViewPlus, Siemens, Beijer or Advantech CE Panels. Use your existing CE panels to save valuable space. There is no longer a need to install new monitors.

VisionView 900 Specifications

Display	Size: 9in/229mm WVGA (10:6 aspect ratio) Type: TFT LCD Resolution (pixels): 1024 x 600 (614,400 pixels) Number of Colors: 262,144 (18 bits/pixel) Luminance: 300 nit Backlight Life: 20,000 hours
Touchscreen	Analog resistive: 4 wire
Memory	512MB DDR2
Storage	2GB of non-volatile flash
I/O	Network: 1 Ethernet port, 10/100 BaseT, TCP/IP Protocol, Full Duplex USB: 2 Host USB 2.0 (480 Mb/sec) ports
Power Consumption	24VDC±10%, .5A
Mounting	Standalone mounting panel with optional accessory mounting kit Optional stand accessory
Environmental	Protection: IP65 or NEMA 4 when properly panel-mounted in an IP65 or NEMA4 rated enclosure or panel Shock: 30 G Shock per IEC 68-2-27 Vibration: 2 G from 10-2000 Hz. Vibration per IEC 68-2-6 Operating temperature: 0°C to 50°C (32°F to 122°F) Storage temperature: -10°C to 60°C (14°F to 140°F)
Regulatory Compliance	CE, FCC, TÜV SÜD NRTL, RoHS

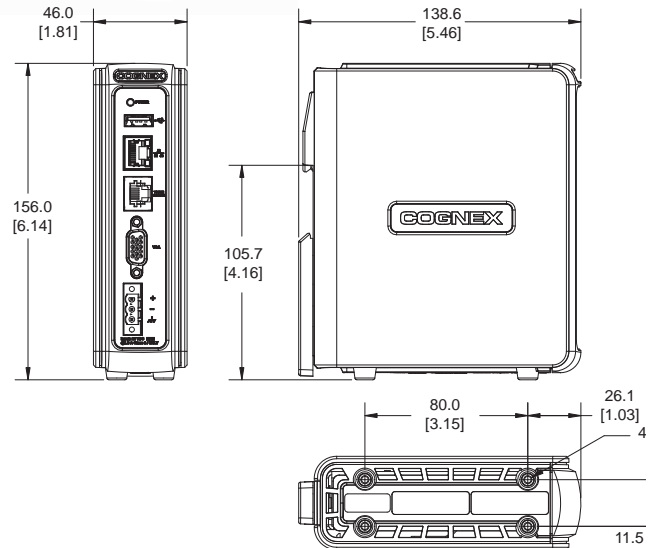


VisionView PC Software Specifications

Hardware Requirements	Intel® Pentium® 4 processor running at 1 GHz (or equivalent) 512MB of available RAM 500MB of available hard-disk space Video card capable of displaying 800x600 resolution at 16-bit color depth. The DPI Display setting must be set to 96 DPI Network Interface Card (at least 100Mbps)
Operating System Requirements	Microsoft® Windows Server® 2003, Service Pack 2 (32-bit) Microsoft Windows Server 2008 R2, Service Pack 1 (64-bit) Microsoft Windows XP Professional, Service Pack 3 (32-bit) Microsoft Windows Vista Business, Service Pack 2 (32-bit) Microsoft Windows 7 Professional, Service Pack 1 (32-bit and 64-bit)
Software Requirements	The Microsoft .NET Framework 3.5 Service Pack 1 must be installed before installing the VisionView PC software. Microsoft .NET Framework 3.5 Service Pack 1 will attempt to install automatically if it is not detected on the PC

VisionView VGA Specifications

Memory	System: 128MB Mobile SDRAM Program: 128MB non-volatile flash memory Video: 16MB Video SDRAM
I/O	USB: 1 Host USB 1.1 (12MB/sec) Network: 1 Ethernet port, 10/100 BaseT, TCP/IP Protocol, Full Duplex Touch Screen: 1 port, RS-232 serial protocol Display: 1 VGA port
Power Consumption	24VDC±10%, input current 1A (maximum) #3 Din Rail (35mm) or four M4 thread mounting holes
Environmental	Protection: IP20 or NEMA 1 Shock: 30 G Shock per IEC 68-2-27 Vibration: 2 G from 10-2000 Hz. Vibration per IEC 68-2-6 Operating Temperature: 0°C to 45°C (32°F to 113°F) Storage Temperature: -30°C to 80°C (-22°F to 176°F)
Regulatory Compliance	CE, FCC, TÜV SÜD NRTL, RoHS
Vendor Display Drivers	Mitsubishi GOT 15x & 16x, Advantech FPM-51X1G, FPM-2150GB, Proface AGP 3000 Series, ELO 1X15L, 1729L, 1529L, 1928 and 3M Microtouch (1500SS and 1700SS) This is a partial list, please contact your Cognex sales representative for the most current listing.



VisionView CE-SL Specifications

The VisionView third-party CE panel software license supports the following panels:

Rockwell PanelViewPlus Series 6-700, 1000, 1250 and 1500

Siemens MP-277, MP-277 Mobile, and MP377

This is a partial list, please contact your Cognex sales representative for the most current listing.

Compatible Cognex Systems



Αθανασιάδης Χ. - Καλπακίδου Κ. Ο.Ε.

Athanasiadis Ch. - Kalpakidou K. C.O.

Κεντρικό:

A. Κοραή 13
57010 Φίλυρο
Θεσ/νίκη - Ελλάδα
T: +30 2310 672 436
Φ: +30 2310 672 437

Υποκατάστημα:

Μερόπης 11
10441
Αθήνα - Ελλάδα
T: +30 210 515 7861

Main:

13th Ad. Korai str.
57010 Filyro
Thessaloniki GR
T: +30 2310 672 436
F: +30 2310 672 437

Branch:

11th Meropis str.
10441
Athens GR
T: +30 210 515 7861

email: contact@robovision.gr, url: www.robovision.gr